



e-Inkjetnews

Inkjet Industry Trends & Innovations

March 2025

Introductory Sample Issue

First Full Issue – Late April 2025

IMI is excited and pleased to present **e-Inkjetnews - *Inkjet Industry: Trends & Innovations***.

IMI, a leading digital printing information source since 1988, is launching **e-Inkjetnews - *Inkjet Industry: Trends & Innovations*** - a **free** monthly enewsletter to be distributed to the IMI Universe - IMI's international database of over 15,000 inkjet professionals covering all aspects of inkjet technologies, markets, and applications.

What to Expect!

Latest Inkjet Industry Technology Developments

New Inkjet Product Introductions

New and Expanding Inkjet Applications

Market Analysis Reports

Event Listings

Inkjet Topic Blogs & Webcasts

Banner & Classified Ads

And More!

We welcome everyone's participation in this exciting effort

Have inkjet News?

[Click here](#) to email news or announcements to us

Want to reach the IMI Universe database?

**(via Banner & Classified Ads, Targeted Emails,
Blogs, Webinars & More)**

Email al@imiconf.com for all Options & Details

For general inquiries

Email al@imiconf.com

IMI's **e-Inkjetnews - *Inkjet Industry: Trends & Innovations*** will provide valuable, up-to-date, high-quality information to keep inkjet industry participants informed about the latest developments impacting their business planning, development, growth, and success.

Our goal is to develop an "inkjet community" focused on generating excitement about rapidly expanding inkjet technology developments, markets, applications, events, and opportunities - thus benefiting all Inkjet industry participants and end users.

Your Banner Ad Can be Here

For Options & Details
Email al@imiconf.com

Sample Content Below

The following news items, announcements, product introductions, etc. are samples of recent inkjet industry activities and are indicative of coverage in future issues.

Starting with **e-Inkjetnews - Inkjet Industry: Trends & Innovations** Volume 1 in late April, we will provide the most current inkjet industry news on a monthly basis.

You may submit items for consideration by emailing to Al Keene at al@imiconf.com



Kyocera Launches New Inkjet Printhead "KJ4A-EX1200-RC" with Ink Recirculation

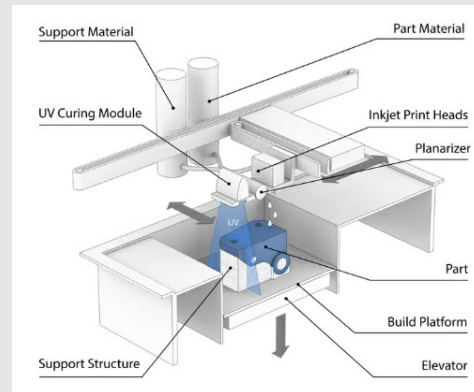
KJ4A-EX1200-RC is UV-ink compatible with 1200dpi resolution offering both high-resolution printing and high productivity printing for labels and many other applications.

Main Features are

1. Ink recirculation at the nozzle enabling stable printing
2. High-resolution 1200dpi and improved productivity through high drive frequency for optimized productivity
3. High print quality through Kyocera's unique monolithic piezo actuator

Expected Availability in May 2025

FMI, [Click Here](#)

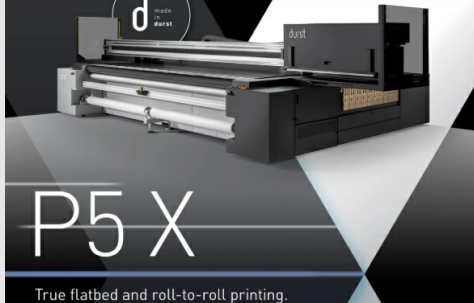


3D Systems Previews NextDent® 300 MultiJet 3D Printer and Materials to rapidly produce Multi-material, Monolithic Dentures

3D Systems' NextDent® 300 MultiJet 3D printer facilitates rapid production of patient-specific dentures that are fully cured and safe to handle without the need for additional post-curing steps.

Complementing the NextDent 300 are NextDent® Jet Teeth and NextDent® Jet Base — the former uniquely formulated to mimic tooth rigidity & aesthetics, and the latter to absorb impact. Expected Availability in third quarter of 2025.

FMI, [Click Here](#)



Durst Announces P5 X True-Flatbed and Roll-to-Roll Printer

Durst's road show at major events worldwide introduces the P5 X, a printing system that combines the best of true-flatbed and roll-to-roll printing designed with features to meet the demands of mid-range large format printing with exceptional quality and efficiency.

Made in Europe by the Durst Group, the P5 X combines the advantages of a true-flatbed with the option for roll-to-roll printing, maintaining Durst's renowned productivity and versatility even in the mid-range market.

[FMI, Click Here](#)



Keypoint Intelligence Visits to Mimaki & Roland DGA show Automation, Sustainability, & New Print Applications are Shaping the Industry's Future

At Mimaki USA's Technology Center, their Transfer Pigment System (TRAPIS) technology, developed in collaboration with Coldenhove & Klievenk addresses water consumption and chemical waste in textile printing.

At Roland DGA's Technology and Creative Centers, the latest TrueVIS series printer/cutters and UV printing technology feature automation and workflow optimization to improve operational efficiency and expand applications

[FMI, Click Here](#)

ETRIA

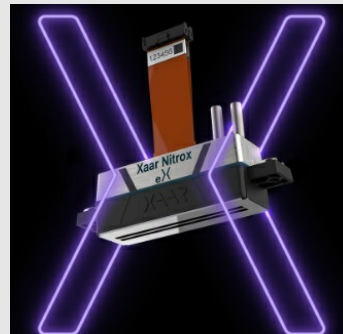
Your Digital Device Partner

OKI joins ETRIA joint venture for multifunction printer development and manufacturing

ETRIA, a joint venture company formed on July 1, 2024 to integrate Ricoh and Toshiba Tec's multifunction printer development & manufacturing, welcomes a new partner, OKI - the 3rd company to join ETRIA.

ETRIA aims to become the leading manufacturing company that will continue to be needed around the world by combining the development and production technologies of like-minded companies, optimizing steps from product planning and development to procurement and production of raw materials & parts. With OKI's participation, ETRIA will strengthen its ability to achieve its goals.

[FMI, Click Here](#)



Xaar's Innovative Technology Enables New Generation of EV Battery Coatings

Through its partnerships with two Chinese companies, traditional coating methods are being replaced with Xaar's innovative inkjet technology, powered by its Xaar eX and Nitrox printheads.

Xaar's printheads specifically designed for the battery sector, provide advanced technologies: its TF Technology for consistent ink recirculation and Sure Flow self-cleaning to deliver reliable performance and simplified maintenance. Ink formulators gain flexibility to design high performance coatings that ensure even, uniform layers essential for battery safety and durability via Xaar's High Laydown Technology.

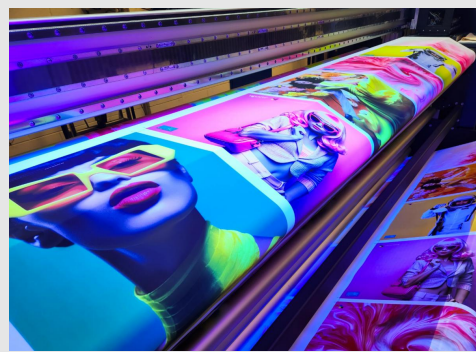
[FMI, Click Here](#)



Epson SurePress Models Receive Idealliance Digital Press System Certification

Epson's SurePress® digital label press line (the SurePress L-4733AW and SurePress L-6534VW) have received Digital Press Certification by Idealliance, a global leader in standards and training for print and packaging supply chains. Both SurePress models using the Wasatch RIP have met the requirements of Idealliance's program consisting of testing and certification in areas of color, print properties, and print production. This certification demonstrates that Epson's entire press system – including the digital front-end, print engine and paper – meets or exceeds established industry tolerances for colormetric accuracy, repeatability, uniformity, durability, and registration.

[FMI, Click Here](#)



Color-Logic and ATP Color Partner to Revolutionize Textile Printing with Touch7 Neon Color System

Touch7—the world leader in neon color systems—and ATP Color—prominent manufacturer of textile printers—are excited to announce strategic technology partnership aimed at enhancing the textile printing landscape. This collaboration introduces the Touch7 Neon Color System, which promises to transform how textile printers utilize vibrant colors. This collaboration between Touch7 technology from Color-Logic and ATP Color empowers textile printers to elevate their design capabilities, delivering stunning results that capture attention and inspire creativity.

[FMI, Click Here](#)



Inkjet Summer School 2025

21 – 25 July 2025

Møller Institute, Churchill College
Cambridge, UK

Upcoming Industry Events

Impressions Expo

March 19-22, 2025

Atlantic City Convention Center

Atlantic City, New Jersey, USA

Web Site: [Home - Impressions Expo - Atlantic City](#)

ESMA Academy: Inkjet for Plastics

March 30-April 3, 2025

European Centre for Dispersion Technologies

Selb, Germany

Web Site: esma.com/academy-plastics/

FuturePrint Leaders Summit

April 1, 2025

Base One, Marina of Valencia

Valencia, Spain

Website: <https://www.futureprint.live/leaders-summit>

FuturePrint Packaging, Labels & DTS Printing

April 2-3, 2025

Base One, Marina of Valencia

Valencia, Spain

Website: <https://www.futureprint.live/about>

DTF (Direct-To-Film) Expo 2025

April 1-2, 2025

Mesa Convention Center

Mesa, Arizona, USA

Web Site: <https://dtfexpo.com>

Labelexpo Mexico 2025

April 1-3, 2025

Expo Guadalajara

Guadalajara, Mexico

Web Site: <https://www.labelexpo-mexico.com>

rapid + tct

April 8 - 10, 2025

Huntington Place

Detroit, Michigan, USA

Web Site: <https://www.rapid3devent.com>

ISA Sign Expo

April 23-25, 2025

Mandalay Bay Convention Center

Las Vegas, Nevada, USA

Web Site: [About ISA Sign Expo | ISA Sign Expo 2025](#)

For Complete Listing of Upcoming Events, [Click Here](#)

To Submit a Future Event for Listing, Email imi@imiconf.com

The logo for IMI consists of the letters 'IMI' in a large, bold, blue, sans-serif font.

e-Inkjetnews

Inkjet Industry Trends & Innovations

Want to reach IMI's Database

Americas, Europe, & ROW Segments

For options and details on:

Banner Ads & Classified Ads

Targeted Emails

Blogs, Webinars & Press Releases

Email al@imiconf.com

I look forward to speaking with you regarding any questions, comments, suggestions, etc. regarding any aspect of this new and timely IMI information transfer activity. We look forward to everyone's inputs and participation.

Please share this email and information with your industry colleagues and contacts. Invite them to [sign up](#) for **free monthly newsletter - e-Inkjetnews - Inkjet Industry: Trends & Innovations**

Alvin G. Keene

President, IMI

Phone: 1-207-235-2225 Direct Phone: 1-207-607-8002

Fax: 1-207-560-9119 Email: al@imiconf.com Web Site: www.imiconf.com

LinkedIn: <https://www.linkedin.com/in/alvinkeene/>

X (formerly Twitter): https://twitter.com/IMI_conf

Facebook: <https://www.facebook.com/imiconf/>